

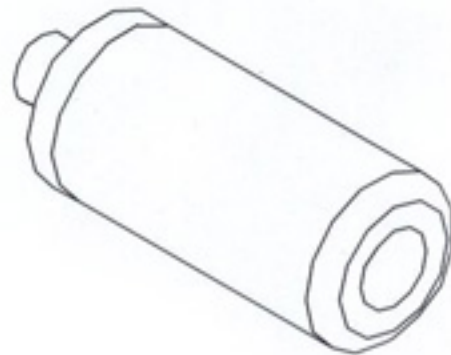
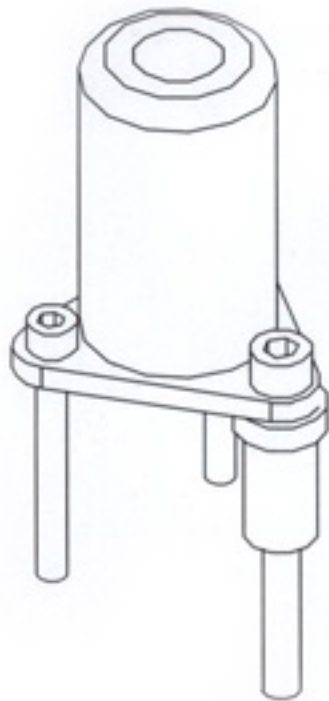
CHAMP



INDUSTRIES

Frame Sliders

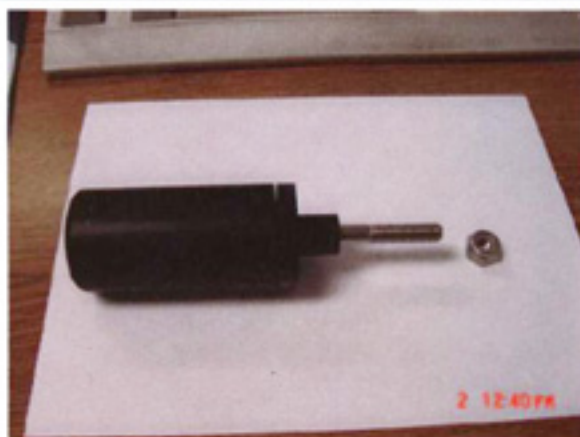
ZRX 1100 & ZRX 1200





Left Side Assembly

Here I am showing the assembly prior to attaching to the bike. Note the smaller 8mm bolts go thru the frame tube and the larger 10mm will go thru the inside plate and the engine mount tab.

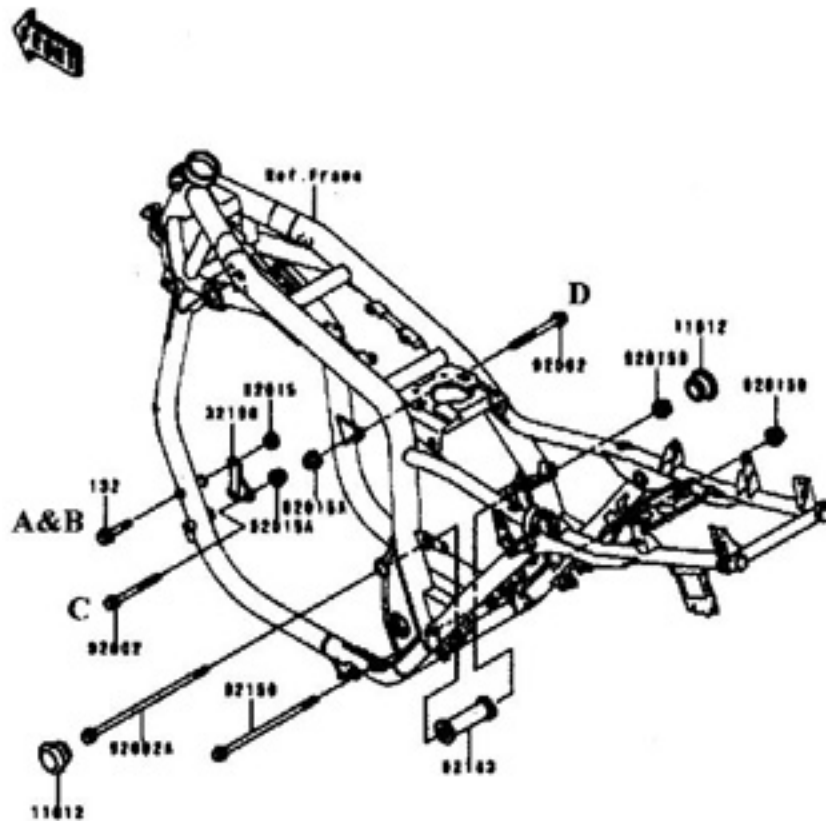


Right Side Assembly

Here I am showing the assembly prior to attaching it to the bike. It simply mounts to the engine mount tab.

Legal stuff.

Frame sliders are intended to reduce the amount of damage that would result from your bike sliding along the pavement. It is by no means going to totally eliminate damage as a result of a crash. They are not designed to sustain any major impact from a tumble or similar crashes.



Frame Slider Installation

Left Side

1. Remove bolts A, B, C and their respective nuts.
2. Place the Slider Plate, with slider attached, on the outside of the frame.
3. Insert new 8mm bolts where bolts A & B were removed, thru plate then frame, then the istock inside plate.
4. Attach new 8mm self locking nuts on the new bolts. Do not tighten yet.
5. Insert 10mm bolt where bolt C, thru the plate, then the spacer, then the engine tab.
6. Attach new 10mm self locking nut on the bolt.
7. Tighten all screws.

Right Side

1. Remove bolt D and its respective nut.
2. Insert new 10mm bolt thru slider, mount and engine tab.
3. Attach new 10mm self locking nut on the bolt.
4. Tighten bolt.